

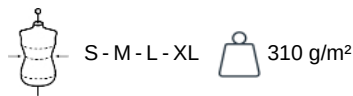
KI0295

## Gusseted shopping bag, available in different sizes

- Gusseted bases ensure a stable position and make both small and large products easy to fill.
- Very hard-wearing and with easy decoration access.



100% cotton. Classic shopping bags with gusset, available in various sizes, from S to XL. Strap handles in the same fabric as the body of the bag. Certified STANDARD 100 by OEKO-TEX® N° CQ 1164/1 IFTH.



### More information

#### Logistic



#### Country of origin



IN - India

#### Customs code



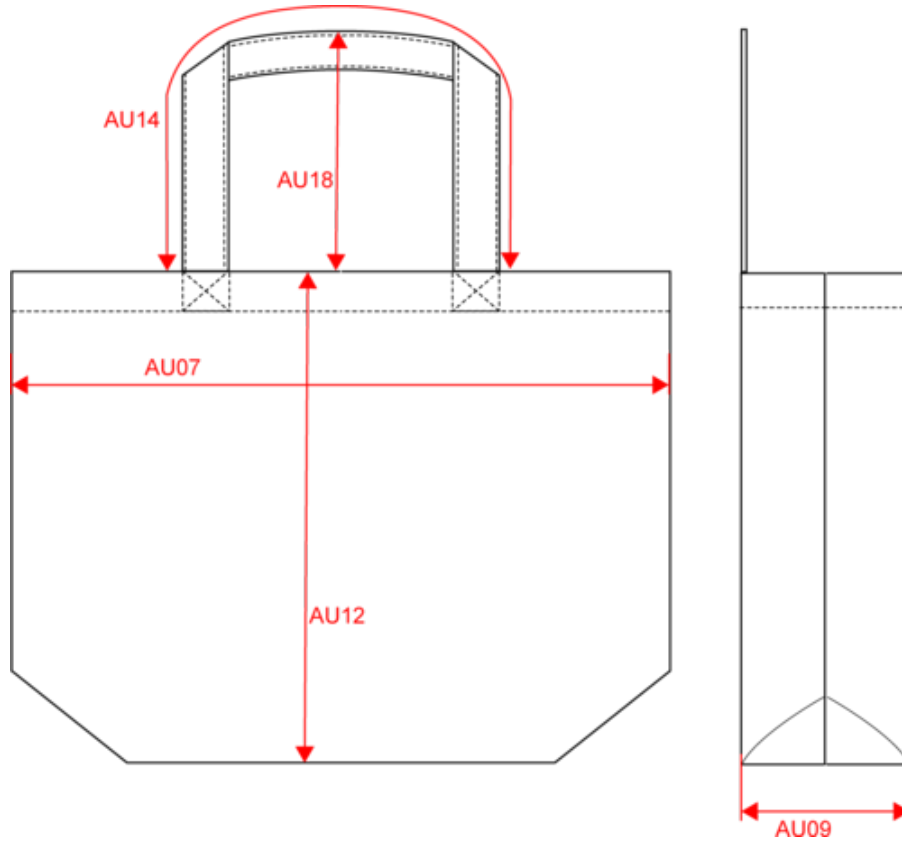
42029298

#### Washing instructions



Gusseted shopping bag, available in different sizes

Dimensions (cm)



Measurements in cm	S	M	L	XL
AU09 - Depth of bottom part	11.00	15.00	18.00	20.00
AU12 - Total height	26.00	34.00	40.00	48.00
AU14 - Handle length	35.00	60.00	60.00	60.00
AU24 - Handle height	13.50	26.00	26.00	26.00
AU28 - Bottom width	23.00	31.00	36.00	42.00
AU07 - Total width	34.00	46.00	54.00	62.00



KI0295

## Gusseted shopping bag, available in different sizes

### Colours information



**Black**  
RVB : 35,35,37  
Pantone C : Black  
Pantone TCX : 19-4004TCX



**Natural**  
RVB : 229,227,215  
Pantone C : 7534C  
Pantone TCX : 12-0404TCX



**Navy Blue**  
RVB : 41,45,57  
Pantone C : 433C  
Pantone TCX : 19-4010TCX

Logistic  1

Sizes	Width (cm)	Height (cm)	Length (cm)	Net weight (kg)	Gross weight (kg)	Pieces/Box	Pieces/Bundle
S	29.00	38.00	36.00	8.50000	11.00000	70	1
M	37.00	25.00	48.00	10.00000	12.50000	50	1
L	43.00	18.00	56.00	7.50000	10.00000	30	1
XL	50.00	18.00	63.00	9.30000	11.80000	30	1